

Transport trolleys G-series professional

For load weights up to 60 metric tons



JLB 15 G

JFB 15 G



JLB 22 G

JFB 22 G

Available with:

JUWathan® plus-coated aluminium core

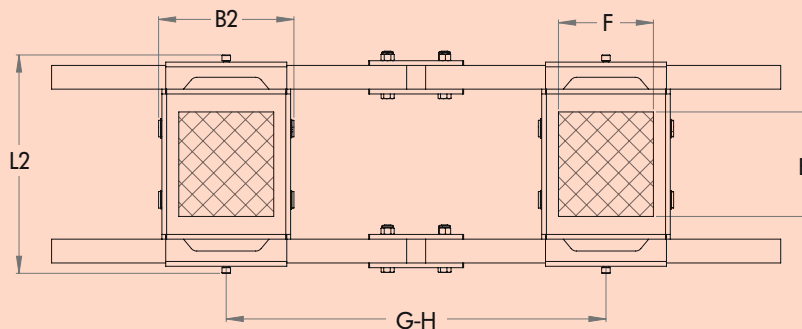
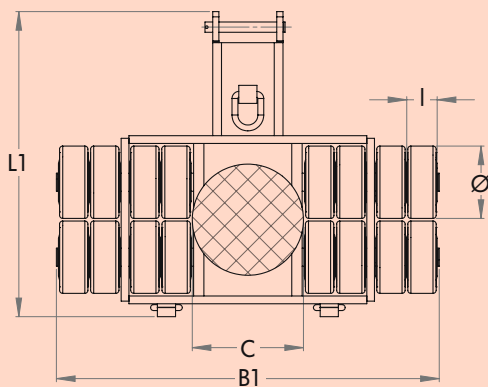


for any floors

Order number 95 050 047-V

▶ Please refer to page 28-29 for additional roller information.

Sketch

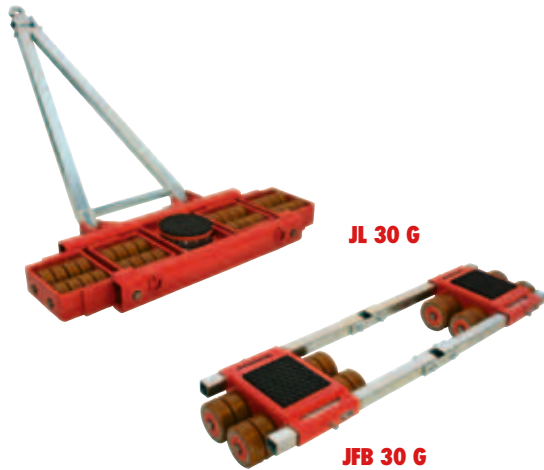


Load weight up to

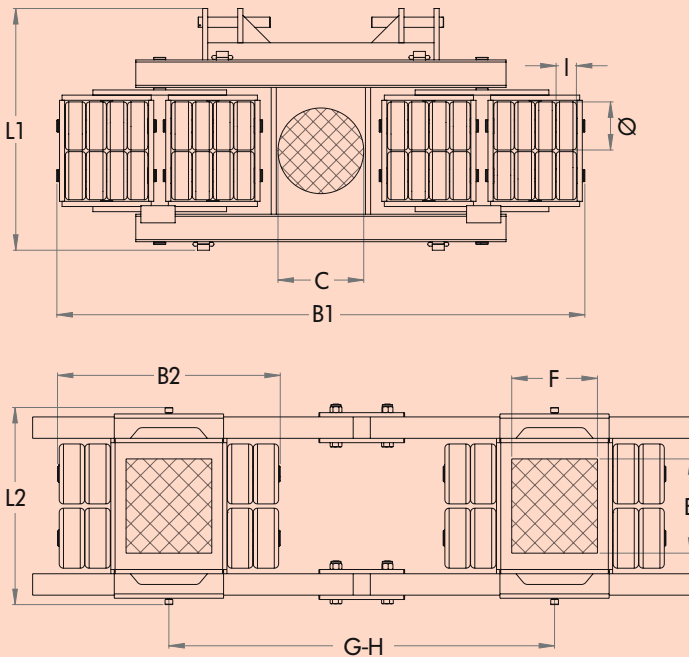
Type	Sketch	30 metric tons		45 metric tons		
		JLB 15 G	JFB 15 G	JLB 22 G	JFB 22 G	
Load capacity		kg / lbs	15 000 / 33 000	15 000 / 33 000	22 500 / 49 500	22 500 / 49 500
Number of castors		pcs	16	16	24	24
Castor dimensions	Ø x l	mm / in	140 x 59 / 5.5 x 2.3"	140 x 59 / 5.5 x 2.3"	140 x 59 / 5.5 x 2.3"	140 x 59 / 5.5 x 2.3"
Fitting height		mm / in	180 / 7.1"	180 / 7.1"	180 / 7.1"	180 / 7.1"
Supporting surface per cassette	E x F	mm / in		220 x 200 / 8.6 x 7.8"		220 x 200 / 8.6 x 7.8"
Cassette dimensions	L2 x B2	mm / in		460 x 285 / 18.0 x 11.1"		460 x 528 / 18.0 x 20.6"
Connecting rod with joint	Length	mm / in		2 x 1 540 / 60.6"		2 x 1 540 / 60.6"
Cassettes adjustable from - to	G - H	mm / in		475 - 1 300 / 18.7 - 54.3"		530 - 1 300 / 20.7 - 54.3"
Supporting surface of turnable	Ø C	mm / in	215 / 8.5"		215 / 8.5"	
Dimensions	L1 x B1	mm / in	565 x 741 / 22.2 x 29.1"		565 x 981 / 22.2 x 38.6"	
Handlebar with pulling eye	Length	mm / in	1 230 / 48.4"		1 450 / 57"	
Weight JUWathan plus		kg / lbs	96 / 212	88 / 194	129 / 284	113 / 249
Order-no. with JUWathan plus			09 151 140-V	10 151 140-V	09 221 140-V	10 221 140-V

Transport trolleys G-series professional

For load weights up to 60 metric tons



Sketch



Advantages in detail

- Pivoting roller cassettes within the frame assure even pressure distribution across all rollers and across the floor. No need for complex and expensive hydraulic compensation system.
- The double roller design results in dramatically easier steering due to reduced friction forces in curves. The much lower friction resistance also causes the rollers on the rear axis to follow in a truer course.
- All transport trolleys are ready for use: The steerable transport trolley is fitted with a ball bearing supported turntable and a handlebar (as shown in picture). The adjustable-width transport trolley consists of two transport units and connecting rod.

Load weight up to

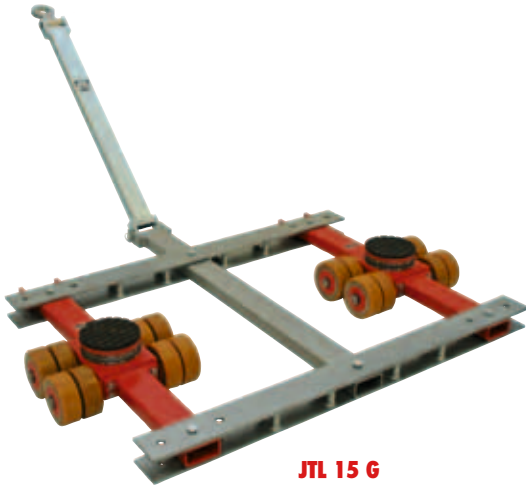
60 metric tons

Type	Sketch		JL 30 G	JFB 30 G
Load capacity		kg / lbs	30 000 / 66 100	30 000 / 66 100
Number of castors		pcs	32	32
Castor dimensions	$\varnothing \times l$	mm / in	140 x 59 / 5.5 x 2.3"	140 x 59 / 5.5 x 2.3"
Fitting height		mm / in	180 / 7.1"	180 / 7.1"
Supporting surface per cassette	E x F	mm / in		220 x 200 / 8.6 x 7.8"
Cassette dimensions	L2 x B2	mm / in		460 x 528 / 18.0 x 20.6"
Connecting rod with joint	Length	mm / in		2 x 1 540 / 60.6"
Cassettes adjustable from - to	G - H	mm / in		530 - 1 300 / 20.7 - 54.3"
Supporting surface of turntable	$\varnothing C$	mm / in	250 / 9.4"	
Dimensions	L1 x B1	mm / in	750 x 1 550 / 29.5 x 61"	
Handlebar with pulling eye	Length	mm / in	1 590 / 62.6"	
Weight JUWathan plus		kg	312 / 688	126 / 278
Order-no. with JUWathan plus			09 301 140-V	10 302 140-V

*other lengths on request

Transport trolleys G-series professional

For load weights up to 30 metric tons



JTL 15 G



JTLB 30 G

Available with:

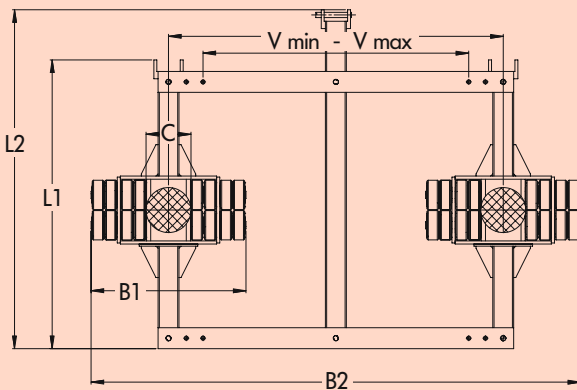
JUWATHAN® plus-coated aluminium core



for any floors
Order number 95 050 048-V

▶ Please refer to page 28-29 for additional roller information.

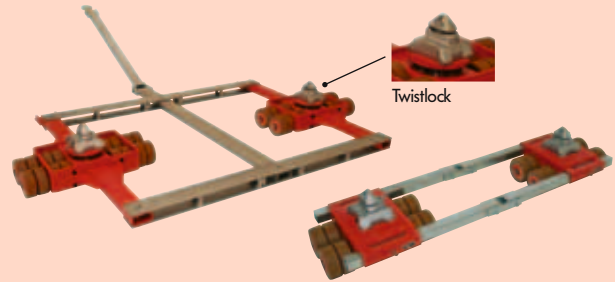
Sketch



Advantages in detail

- Large rollers warrant optimal rolling characteristics on uneven surfaces and rough pavements.
- Safely overcomes small ledges, cracks in the concrete and countersunk rail tracks.
- Multi-purpose use: Also useable as two single trolleys, each with half of the combined load capacity. No additional accessories needed.
- Custom solutions available: Ask for individual design with specific measurements and adjustable connections.

Available with twistlock via special order.



Load weight up to			15 metric tons	30 metric tons
Type	Sketch		JTL 15 G	JTLB 30 G
Load capacity		kg / lbs	15 000 / 33 000	30 000 / 66 100
Number of castors		pcs	16	16
Castor dimensions	Ø x l	mm / in	140 x 59 / 5.5 x 2.3"	140 x 59 / 5.5 x 2.3"
Fitting height		mm / in	180 / 7.1"	180 / 7.1"
Supporting surface of turntable	Ø C	mm / in	170 / 6.7"	215 / 8.5"
Dimensions	L1 x B1	mm / in	1 020 x 440 / 40.2 x 17.3"	1 328 x 740 / 54.3 x 29.1"
Width of track on connection rod	E	mm / in	1 330 / 52.4"	1 700 / 66.9"
Adjustable from-to Vmin. -Vmax.		mm / in	900 - 1 230* / 35.4-48.4"	1 270 - 1 600 / 50 x 63"
Adjustable			3x	3x
Dimensions	L2 x B2	mm / in	1 260 x 1670 / 49.5 x 65.6"	1 620 x 2 340 / 63.8 x 92.1"
Handlebar with pulling eye	Length	mm / in	1 230 / 48.4"	1 230 / 48.4"
Weight JUWATHAN plus		kg	168 / 370	291 / 642
Order-no. with JUWATHAN plus			12 150 140-V	12 302 140-V

*other lengths on request